

# FIXED SKYLIGHTS



**SOLAR INNOVATIONS®**  
ARCHITECTURAL GLAZING SYSTEMS

## A skylight in every shape and size.

Solar Innovations® offers fixed skylights in virtually any size and can accommodate a wide range of configurations, including single slope, pyramids, segmented radius domes, barrel vault, hip end, glass roofs, roof lanterns, and more. These skylight systems can attach to virtually any substrate and are suited for both residential and commercial applications. Skylights have several unique delivery options including Pre-Assembled Pre-Glazed, Pre-Assembled Not Pre-Glazed, and Knocked Down.

## FEATURES

### PANELS:

- Custom configurations available
- Aluminum or wood rafters & purlins
- 2- or 3-tiered drainage system with concealed interior condensation gutters
- LEED friendly system including recycled content
- Designed and manufactured in the U.S.A.

### PERFORMANCE:

- Thermally enhanced utilizing thermal fill & debridge

### GLAZING:

- Designed to accommodate almost any monolithic, insulated, laminated, decorative, polycarbonate, or solid panel infill

## OPTIONS

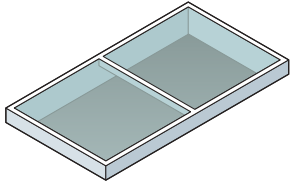
### FINISHES:

- Standard finishes
  - AAMA 2603: Bronze, White
  - AAMA 611 Class I Anodized: Clear, Dark Bronze
- Designer finishes
  - AAMA 2603: Hartford Green, Black Natural Clay, Sandstone
- Custom finishes
  - Powder coat finish: AAMA 2604 - 2605
  - Fluoropolymer (50% or 70%): AAMA 2604 - 2605
  - Wood veneer, metal cladding, & foiling options
  - Dual color or dual finish options

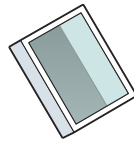
\* Note: Walkable Skylights may not be available with all features listed

# CONFIGURATIONS

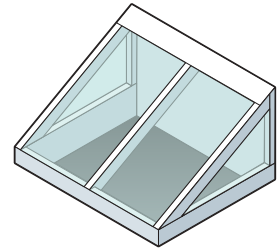
Additional configurations available.



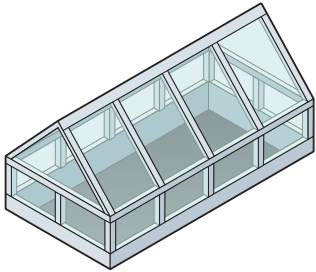
Flat



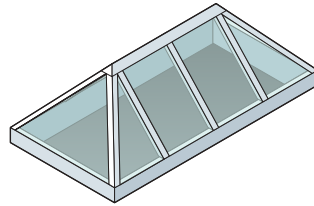
Single Slope



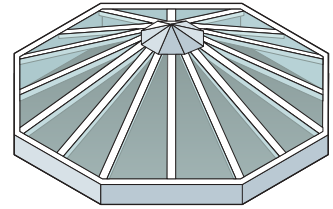
Straight Eave Lean-To



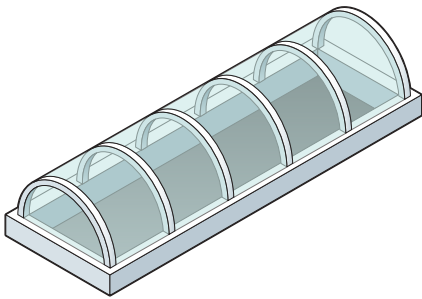
Straight Eave Double Pitch with Transom



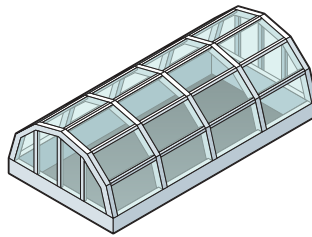
Straight Eave Double Pitch with Hip End



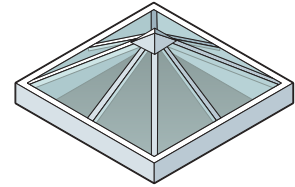
Polygonal



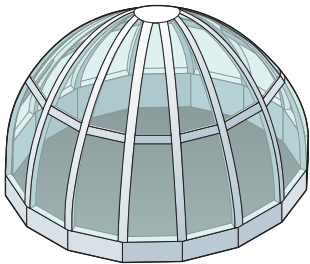
Barrel Vault



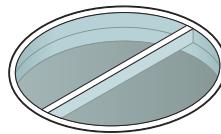
Segmented Radius Barrel Vault



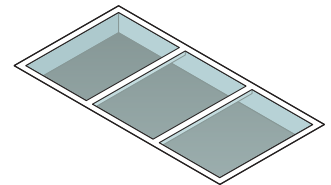
Pyramid



Dome

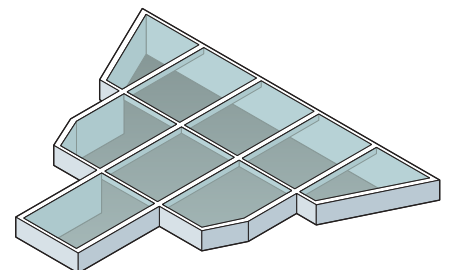
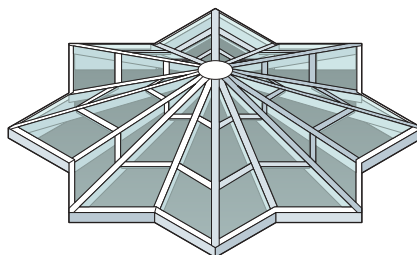
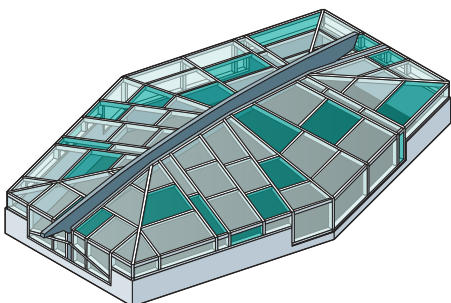


Round Walkable



Rectangular Walkable

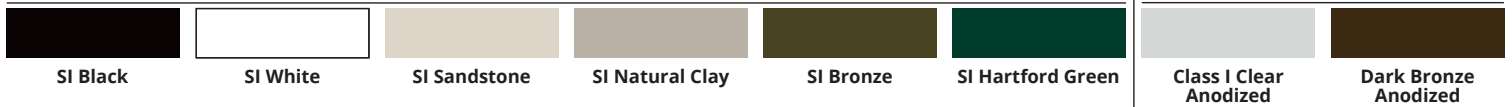
# CUSTOM DESIGNS





## FINISH OPTIONS

**Paint** AAMA 2603 (5 year warranty). Finishes available while in stock.

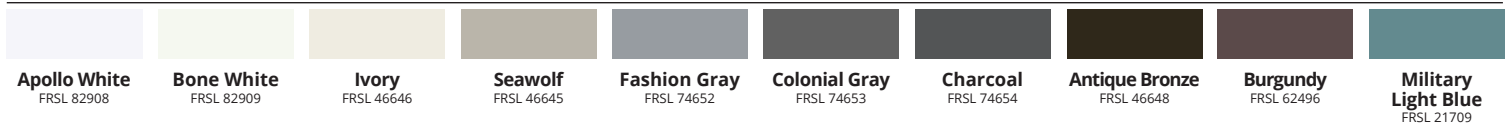


**Anodized** Additional cost

**Powder Coat Solids** STANDARD - AAMA 2605 (10 year; up to 20 year warranty). Scratch & fade resistant; contains no VOCs.\*

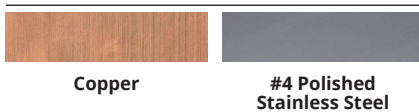


**Powder Coat Solids** PREMIUM - AAMA 2605 (10 year; up to 20 year warranty). Scratch & fade resistant; contains no VOCs.\*



Visit <https://www.ifsc coatings.com/content/assets/Uploads/brochures/IFS-Architectural-Digital-Color-Card.pdf> for additional metallic and anodic finishes.

**Metal Clad** STANDARD\* (EXTERIOR ONLY)



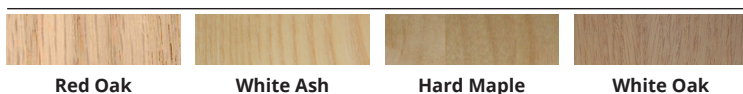
**Metal Clad** PREMIUM\*



**Decoral Finishes (Powder Coat)\***



**Wood/Glulam** STANDARD\*



**Wood/Glulam** PREMIUM\*



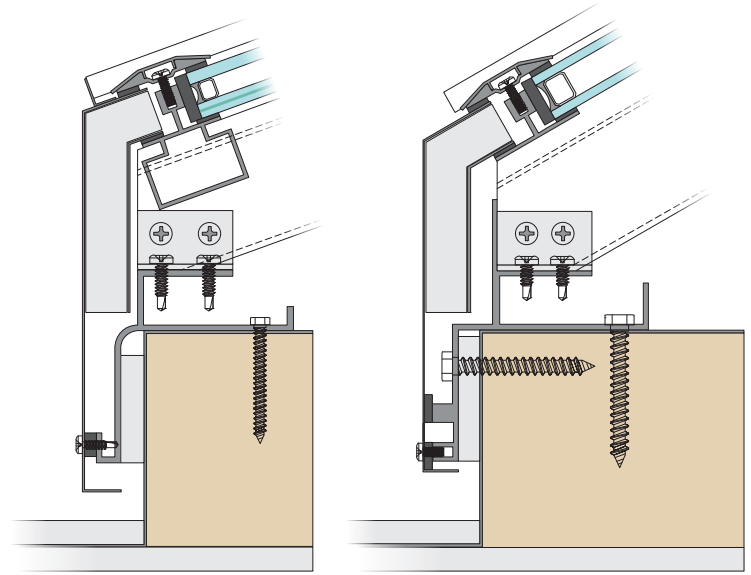
\*Lead times subject to availability. \*\* Special order.

Note: Depending upon color selection, additional charges and increased lead times may apply. Extended warranties and service plans are available for an additional charge. Examples are shown as accurate as photography and printing processes allow. Final finish selection should be made from a physical sample; contact Solar Innovations® for samples. Product and finish options are subject to vendor availability. Solar Innovations® reserves the right to discontinue any option at any time without notice. Additional options, including custom color match, are available; contact Solar Innovations® for details.

# CURB MOUNT SKYLIGHTS



## SILL OPTIONS



G2 Welded Curb

G3 Welded Curb

## PRODUCT OVERVIEW

Curb mount skylights are uniquely designed to eliminate water penetration, by attaching through the side of the curb rather than the top, as is typical of many other industry skylights. This design minimizes the chances of long term water penetration through the sill pan.

### Air & Structure Impact Testing

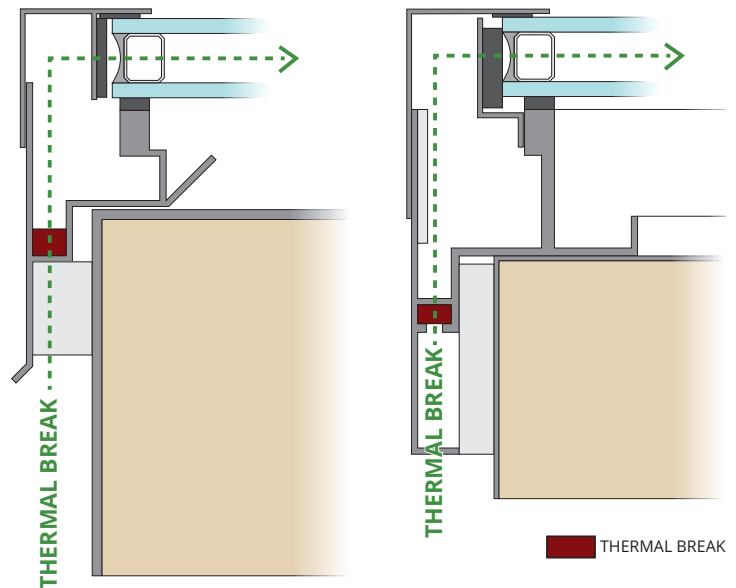
Test Number	Panel Size	Florida Certified	Design Pressure	Air at 6.24psf	Water
11259.4 (FL) 110-11306-2 (NCTL)	45" x 61"	Yes	± 65psf	0.01 cfm/ft <sup>2</sup>	12psf
11259.3 (FL) 110-15873-1 (NCTL)	72" x 72"	Yes	± 80psf	0.01 cfm/ft <sup>2</sup>	Up to 30psf
11259.1 (FL) 110-15867-2 (NCTL)	147" x 99"	Yes	± 65psf	0.24 cfm/ft <sup>2</sup>	Up to 30psf

**Please Note:**

Testing and performance results may vary depending upon sill, size, and hardware selections. Please be sure to visit our website at [solarinnovations.com](http://solarinnovations.com) or contact your Solar Innovations® representative for additional product information.

Additional testing (non-impact) available upon request.

## FLAT WELDED CURB DETAILS



G2 Welded Curb

G3 Welded Curb

## PANELS

- Flat Welded Curb Skylights available in fixed modules up to 6' x 12' or 3-bay maximum; larger sizes available with engineering approval

## GLAZING

- Designed to accommodate almost any monolithic, insulated, laminated, decorative, polycarbonate, or solid panel infill from 3/16" to 1 1/2"

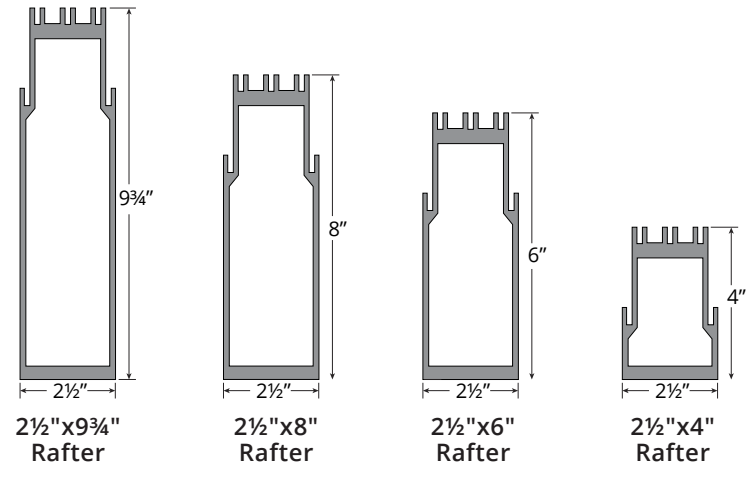
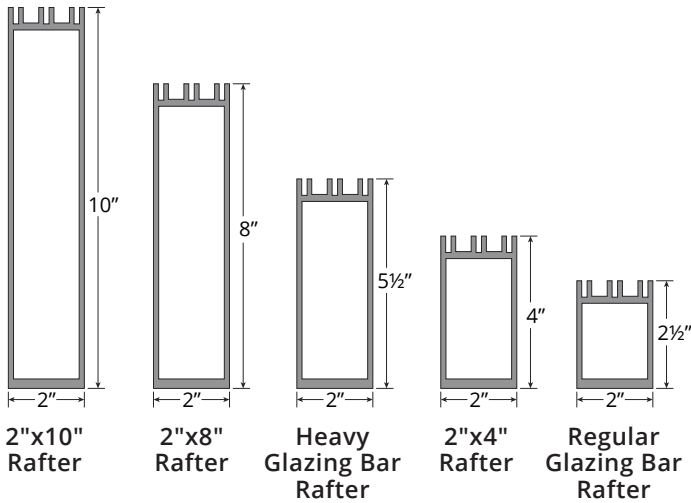
## PERFORMANCE

- Water performance up to 30psf, depending on system
- Structural tested up to a design pressure of 80psf
- Higher water and structural performance available with engineering approval

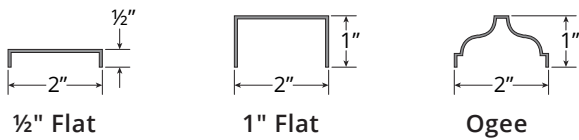


## 2" SYSTEM RAFTERS

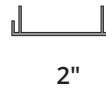
## 2½" SYSTEM RAFTERS



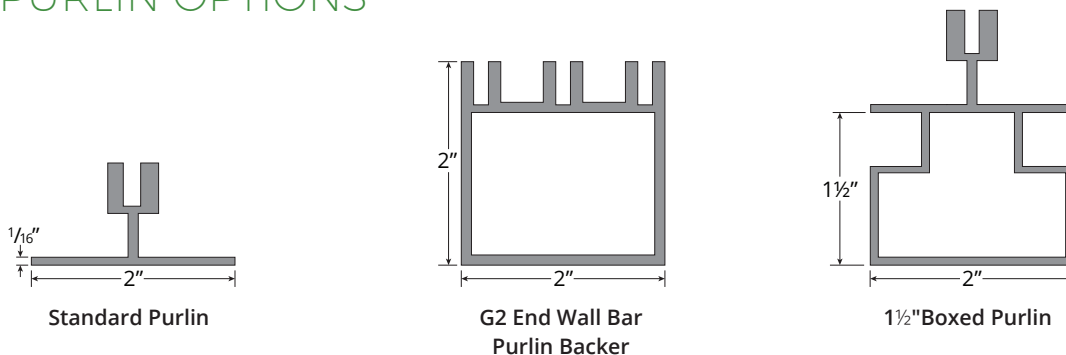
### DECORATIVE CAPS



### CONDENSATION GUTTER



## PURLIN OPTIONS



# CUSTOM SKYLIGHTS



## PRODUCT OVERVIEW

No job is too big or too complex for Solar Innovations® to deliver better than expected results. Our team of designers and engineers will work with you to customize your skylight to exacting specifications. Your skylight will not only be the focal point of your project, but also exhibit among the highest performance ratings in the industry.

### Air & Structure Impact Testing

Test Number	Panel Size	Florida Certified	Design Pressure	Air at 6.24psf	Water
11259.4 (FL) 110-11306-2 (NCTL)	45" x 61"	Yes	± 65psf	0.01 cfm/ft <sup>2</sup>	12psf
11259.3 (FL) 110-15873-1 (NCTL)	72" x 72"	Yes	± 80psf	0.01 cfm/ft <sup>2</sup>	Up to 30psf
11259.1 (FL) 110-15867-2 (NCTL)	147" x 99"	Yes	± 65psf	0.24 cfm/ft <sup>2</sup>	Up to 30psf

Additional testing (non-impact) available upon request.

**Please Note:**  
Testing and performance results may vary depending upon sill, size, and hardware selections. Please be sure to visit our website at [solarinnovations.com](http://solarinnovations.com) or contact your Solar Innovations® representative for additional product information.

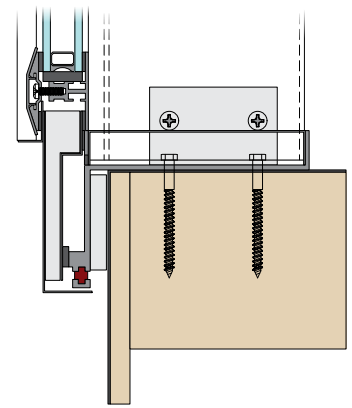
## PANELS

- Pre-Assembled and Pre-Glazed up to
  - 8' x 8' Pyramid
  - 8' x 12' Hip Ends

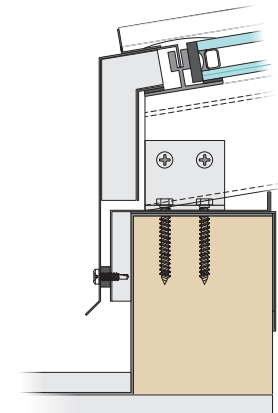
## GLAZING

- Designed to accommodate almost any monolithic, insulated, laminated, decorative, polycarbonate, or solid panel infill from 3/16" to 1 1/2"

## SILL OPTIONS

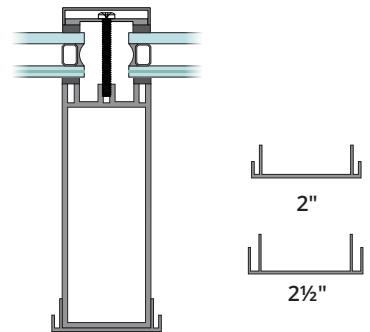


G4 Welded Curb



Pan Flashing Sill

## CONDENSATION GUTTER OPTIONS

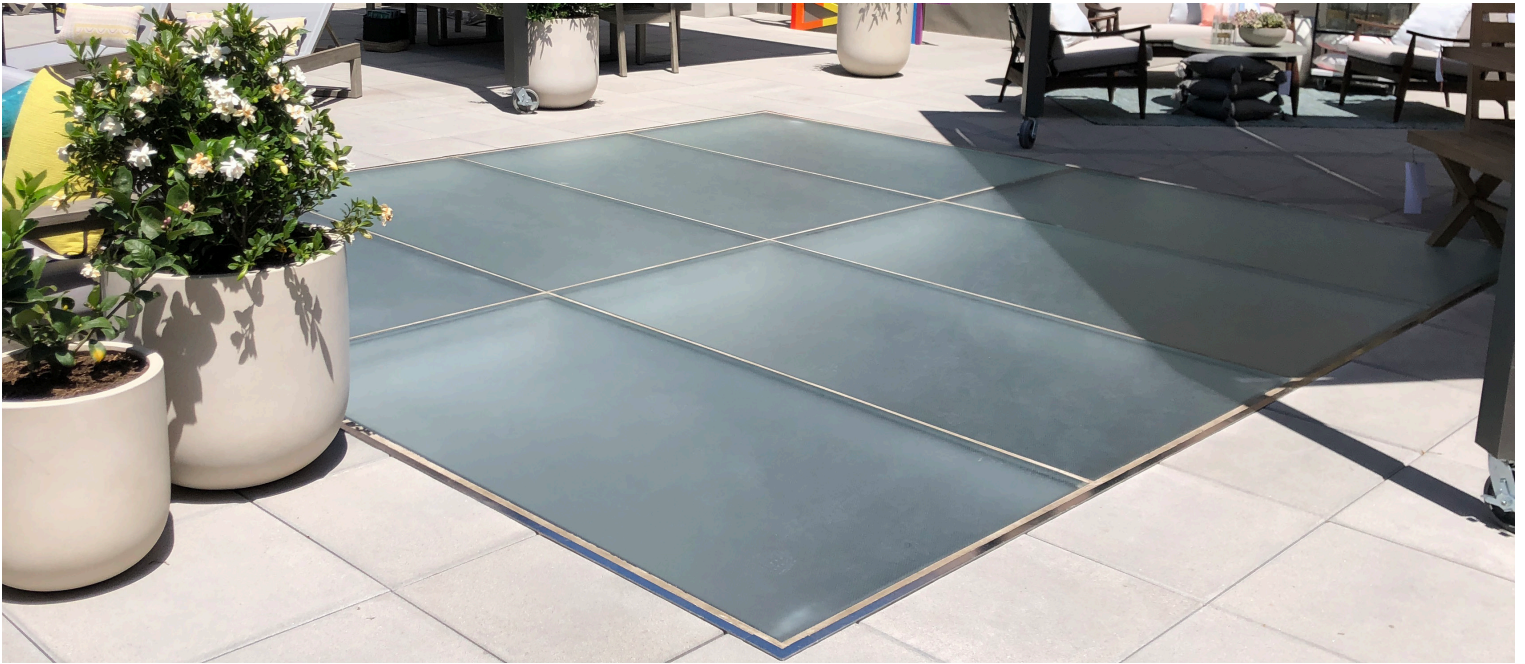


2" Condensation Gutter Attached to Heavy Glazing Bar

## PERFORMANCE

- Water performance up to 30psf, depending on system
- Structural tested up to a design pressure of 80psf
- Higher water and structural performance available with engineering approval

# WALKABLE SKYLIGHTS



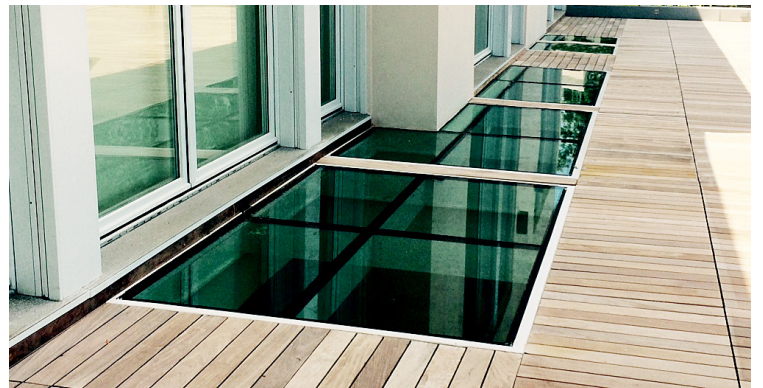
## PRODUCT OVERVIEW

Walkable skylights provide the same natural daylighting solutions as traditional skylights while serving double duty as a walkable surface. While walkable skylights can be used for exterior applications, a covered area is recommended; walkable skylights may be placed on the floor below an existing skylight to bring daylight deeper into a building. Light can travel between multiple floors or into dark basements without surrendering the ability to freely travel. Slip resistant glazing is included on all walkable skylights.

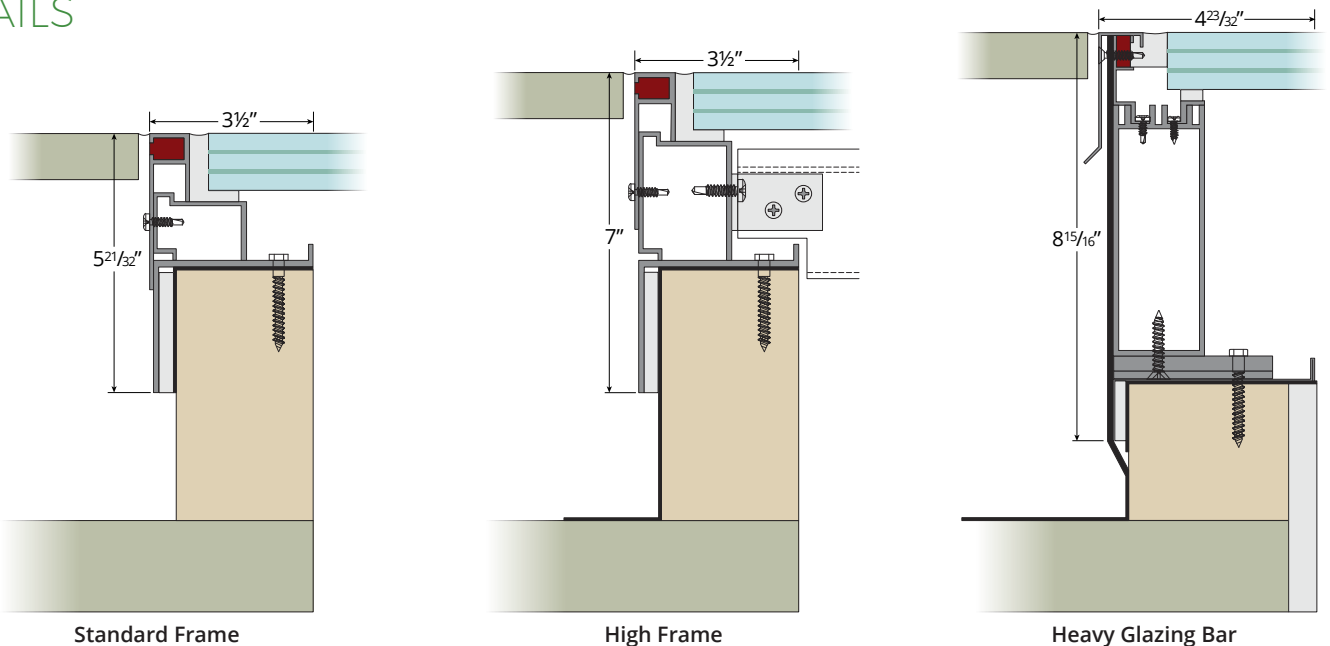


### Learn More

To find out more about the features and options of our Fixed Skylights, visit our website at [solarinnovations.com/fixed-skylights](https://solarinnovations.com/fixed-skylights)



## DETAILS



# GLASS SPECIFICATIONS

	Overall Unit Thickness	U-Value	R-Value	Solar Heat Gain Coefficient	Visible Light Transmission	Reflectance Out	Reflectance In	UV Transmittance
<b>DOUBLE GLAZED Outside Lite/Inside Lite</b>								
Clear/Clear	1"	0.46	2.17	0.78	82%	15%	15%	58%
180/Clear	1"	0.26	3.85	0.64	79%	15%	15%	29%
272/Clear	1"	0.25	4.00	0.41	72%	11%	12%	16%
366/Clear	1"	0.24	4.17	0.27	65%	11%	12%	5%
340/Clear	1"	0.25	4.00	0.18	39%	11%	13%	2%
180/i89	1"	0.21	4.76	0.62	77%	15%	14%	27%
272/i89	1"	0.20	5.00	0.41	70%	11%	11%	16%
366/i89	1"	0.20	5.00	0.27	63%	11%	11%	5%
340/i89	1"	0.20	5.00	0.17	38%	11%	12%	2%
Gray/Clear	1"	0.45	2.22	0.60	57%	9%	13%	32%
Gray/180	1"	0.26	3.85	0.49	53%	9%	14%	17%
Gray/272	1"	0.25	4.00	0.38	50%	8%	9%	10%
Bronze/Clear	1"	0.45	2.22	0.62	61%	10%	13%	31%
Bronze/180	1"	0.26	3.85	0.61	59%	10%	14%	17%
Bronze/272	1"	0.25	4.00	0.39	54%	8%	10%	10%
<b>TRIPLED GLAZED Outside Lite/Middle Lite/Inside Lite</b>								
180/Clear/180	1 $\frac{1}{8}$ "	0.15	6.67	0.56	70%	20%	20%	13%
272/Clear/180	1 $\frac{1}{8}$ "	0.15	6.67	0.37	63%	15%	18%	8%
366/Clear/180	1 $\frac{1}{8}$ "	0.15	6.67	0.25	57%	14%	18%	2%
340/Clear/180	1 $\frac{1}{8}$ "	0.15	6.67	0.16	34%	13%	19%	1%